



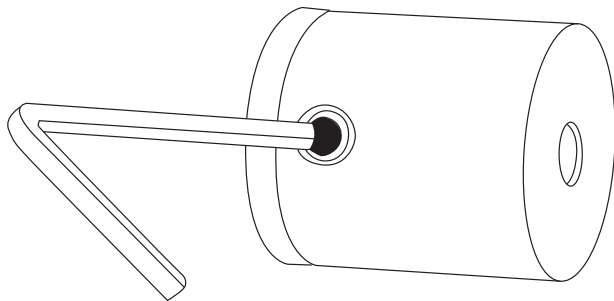
Thank you for purchasing **Signage** from Futureglass!



The simple assembly means that the sign can be fitted to a sturdy brick wall in the shortest of times.

Please take a few moments to ensure that careful assembly gives you years of service

ASSEMBLY INSTRUCTIONS



1. Ensure that fitting supplied are suitable for wall type and condition.
2. Competent fitter to accurately drill holes in wall to match location of sign fittings.
3. Screw wall fitting to wall ensuring that when the signs are in position, access to the grub screw is available to secure the sign.
4. Fit sign into fittings ensuring that there is no stress placed on the sign and that it cleanly fits into the fittings, before fastening the grub screws.
5. Again check that the sign is not flexing or under stress, and that it is secure.

The glass supplied is toughened to BS6206A for safety. In order to maximize this safety; please follow the following precautions.

- | | |
|---|--|
| <ol style="list-style-type: none"> 1. Ensure that signage fitted is in a safe location i.e. not at the bottom of stairs etc. 2. Ensure that the signage is not subject to large shocks such as doors slamming, or the mounting surface flexing which may cause the sign stress. 3. Ensure that the installation of the sign is compliant with relevant standards for glass in buildings BS EN 12150. | <ol style="list-style-type: none"> 4. It is for the installer to decide if the sign is suitable for overhead fitting. 5. Cleaning of the sign with suitable glass cleaner only. 6. Take care not to catch the vinyl with cloth, use soft tissue only. |
|---|--|