



Optional 5 pole top shown



GEM CORNER SUPPORT

Innovative space-saving support for hi-fi and home cinema systems

DESIGN BRIEF

You demand superb performance from your hi-fi or home cinema system, so why compromise on the support units? If you want to make best use of your room space, GEM Corner Support gives you an innovative solution developed by glass furniture specialists who really understand audio-visual performance.

Precision-engineered components and an innovative push-fit system effectively smother vibration to give a solution that is technically advanced and great to look at. The stainless steel and glass components create a minimal appearance and the cleanest lines

of any audio-visual support system on the market. With a massive choice of shelf heights, you can create any configuration you like and you don't have to worry about fasteners.

Each 10 mm polished safety glass shelf is supported by stainless steel columns which fit over stainless steel bosses bonded onto the glass. The bosses and supporting columns are isolated from each other by a double set of vibration-deadening O-rings, creating a sturdy platform with no room for movement between components.

It's solid, versatile and it takes your viewing and listening experience into a new dimension.

CHOOSE YOUR OPTIONS

You can order GEM Corner units with a choice of shelf heights.

CUSTOMISE... DIFFERENT SIZES, COLOURS

If you want even more choice, we can customise GEM Corner Support units with different sizes, colours, finishes or materials.

Ask your retailer for more details.

*Consider a bespoke option if you have a specific space requirement - just send in a drawing....

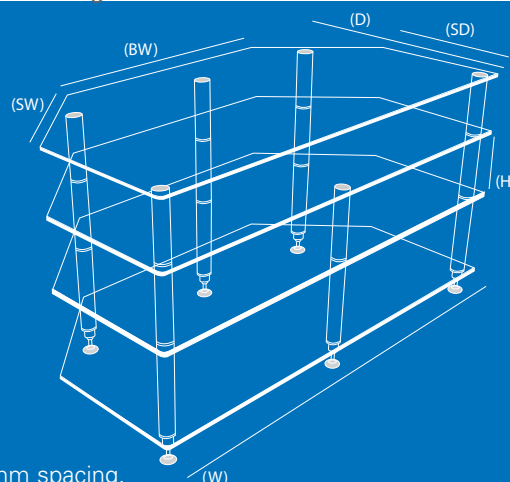
SHELF DIMENSIONS

Width (W) Depth (D) Side Width (SW) Side Depth (SD) Back Width (BW)
1320 x 610 mm x 250mm x 360mm x 630mm

SHELF HEIGHTS (H)

80 mm	180 mm
100 mm	210 mm
120 mm	250 mm
140 mm	300 mm
160 mm	350 mm

Available in satin finished stainless steel or satin black steel



maximum shelf loadings of 100 kilos per shelf, with a five shelf maximum at 350mm spacing. 10mm clear toughened safety glass is standard, but colours, finishes, and other glass type to order. Call now for fast delivery...