

*Shown with spikes which must be specified at time of ordering and GEM Spike cups which can be purchased separately from your retailer.

GEM SLENDER SCREEN SUPPORT

Innovative support for home cinema and plasma screens

DESIGN BRIEF

You demand superb performance from your home cinema system, so why compromise on the support units? With GEM Slender Screen Support you get an innovative solution suitable for both European and American hi-fi sound box formats, as well as plasma screens. The support system was developed by glass furniture specialists who really understand audio-visual performance.

Precision-engineered components and an innovative push-fit system effectively smother vibration to give a solution that is technically advanced and great to look at. The stainless steel and glass components create a

minimal appearance and the cleanest lines of any cinema support system on the market. With an extensive choice of shelf heights, you can create any configuration you like and you don't have to worry about fasteners.

Each 10 mm polished safety glass shelf is supported by stainless steel columns which fit over stainless steel bosses bonded onto the glass. The bosses and supporting columns are isolated from each other by a double set of vibration-deadening O-rings, creating a sturdy platform with no room for movement between components. Adjustable "glider" feet allow you to level the unit if the floor

is uneven or move it easily, even when it's fully loaded. GEM Slender Screen Support is solid, versatile and it takes your home cinema experience into a new dimension.

CHOOSE YOUR OPTIONS

You can order GEM Slender Screen Support with a choice of shelf heights.

CUSTOMISE... DIFFERENT SIZES, COLOURS

If you want even more choice, we can customise GEM Slender Screen Support units with different sizes, colours, finishes or materials.

[Ask your retailer for more details.](#)

*Consider our Cinema range for greater flexibility, or a larger screen in the future

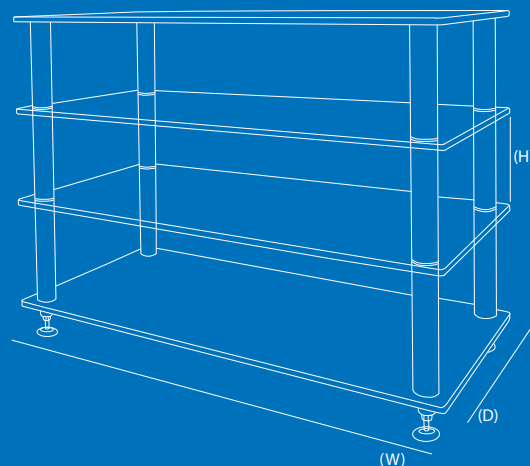
SHELF DIMENSIONS

Width (W) Depth (D)
800 x 400 mm

SHELF HEIGHTS (H)

| | |
|--------|--------|
| 80 mm | 180 mm |
| 100 mm | 210 mm |
| 120 mm | 250 mm |
| 140 mm | 300 mm |
| 160 mm | 350 mm |

Available in satin finished stainless steel or satin black steel



maximum shelf loadings of 60 kilos per shelf
10mm clear toughened safety glass is standard, but colours, finishes, and other glass type to order. Call now for fast delivery...

Please ensure that there is adequate access to the final location of the furniture including doorways, windows and other areas for access. Tool free assembly. Further information available from www.futureglass.co.uk or +44 (0) 1376 330300. We would be happy to help.