



Shown with 600x300mm add on top



MEDIA STORAGE UNIT - SHORT

Highly-versatile media storage to complement your hi-fi system

DESIGN BRIEF

You've got a great hi-fi or entertainment system. Now, what do you do with your CDs or DVDs? We've created a great looking range of media storage units in clean contemporary glass lines. They provide practical, highly-versatile storage for DVDs and CDs and they look great alongside the Futureglass GEM hi-fi range.

They also make a great dual-purpose wine table. You can place these attractive units anywhere in the room and they'll make your stylish room a bit more special.

We've designed them so you can arrange your CDs and DVDs in many different ways and we give you a choice of three different widths, with an optional glass top for additional protection or storage.

You can also get these units in tall and medium sizes to cover all your media storage needs.

CHOOSE YOUR OPTIONS

The media storage unit is available as a standard unit in a choice of three widths. You can also order an optional glass top or choose a frosted glass finish.

CUSTOMISE... DIFFERENT SIZES, COLOURS

If you want even more choice, we can customise the media storage unit with different sizes, colours, finishes or materials.

Ask your retailer for more details.

UNIT DIMENSIONS

Height (H)	Width (W)	DVD	CD
500 mm	170 mm	22	30
500 mm	330 mm	44	60
500 mm	480 mm	64	86

BASE DIMENSIONS

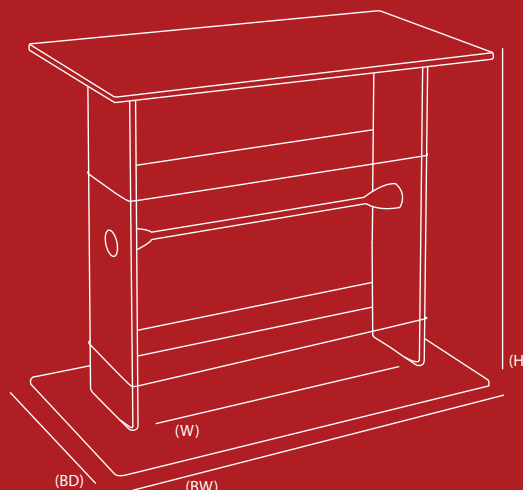
The base measures:

Width (BW) Depth (BD)

300 x 300 mm for the narrow unit

500 x 300 mm for the medium unit

600 x 300 mm for the wide unit



10mm clear toughened safety glass is standard, but colours, finishes, and other glass type to order. Call now for fast delivery...

Please ensure that there is adequate access to the final location of the furniture including doorways, windows and other areas for access.

Tool free assembly. Further information available from www.futureglass.co.uk or +44 (0) 1376 330300. We would be happy to help.